

THE COMPLETE SOLUTION!



Integral Push Trolley & Girder Clamp

Model: CTP Type's: YT and YTE Available in 1, 2 and 3 tonne capacities



The Beaver Integral Push Trolley and Girder Clamp is designed to provide a quick and easy attachment to overhead beams for transporting loads for permanent or temporary mounting in different locations.

The integral clamp is adjustable to the beam width in the same manner as the Beaver Girder Clamp (model YC), by rotating the threaded spindle.

Complies to AS1418.2

FEATURES:

- For additional safety the threaded adjustment mechanism is secured by tightening the locking lever against the sideplate.
- Threaded spindle mechanism, zinc plated for superior corrosion protection.
- Easily adjustable to suit a wide range of flange widths and beams from 75mm to 200mm.
- Robust steel construction with durable enamel paint finish in yellow for YT and black for YTE models.
- Built-in load bar for reduced headroom.
- Every Beaver Integral Push Trolley and Girder Clamp has an individual serial number stamped on the body of the clamp and also onto the aluminium identification plate which is securely mounted to the trolley side plate. This number coincides directly to the test certificate of the product for quick and easy tracing and reference.
- All Beaver Integral Push Trolley and Girder Clamps are operationally tested to 150% of the rated capacity and come with individual test certificates.



More than just lifting

Product Applications

STAGING & LIGHTING

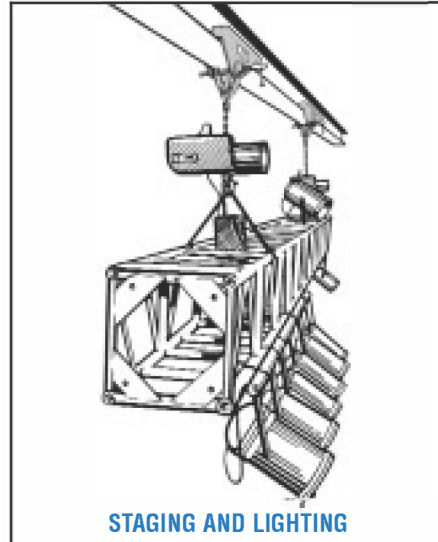
The Beaver Integral Push Trolley and Girder Clamp can be used in a variety of dual applications in the entertainment industry. For moving complex sets, lighting or sophisticated sound equipment along overhead girders or beams with the advantage of being able to fix such equipment in semi-permanent or permanent positions easily and safely.

SHIPPING & OFFSHORE

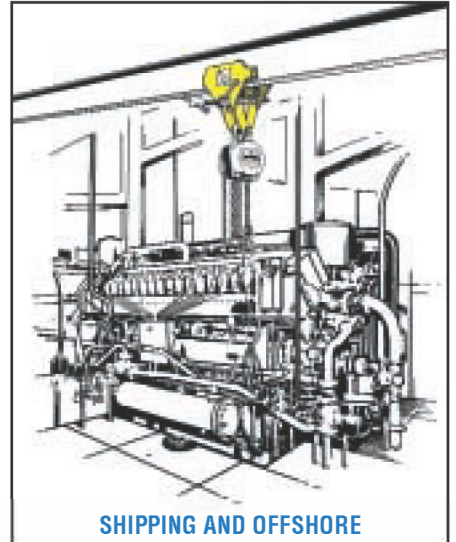
Used for precise positioning with a hoist or chain block attached over engines and machines in ships when repairs, replacement or maintenance of that equipment is required during voyages.

ENGINEERING

Extremely versatile, with many engineering applications for normal rigging, moving, hoisting above machinery or repositioning of heavy equipment safely.

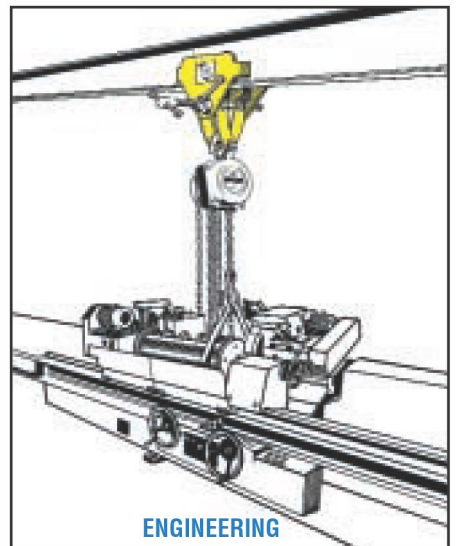
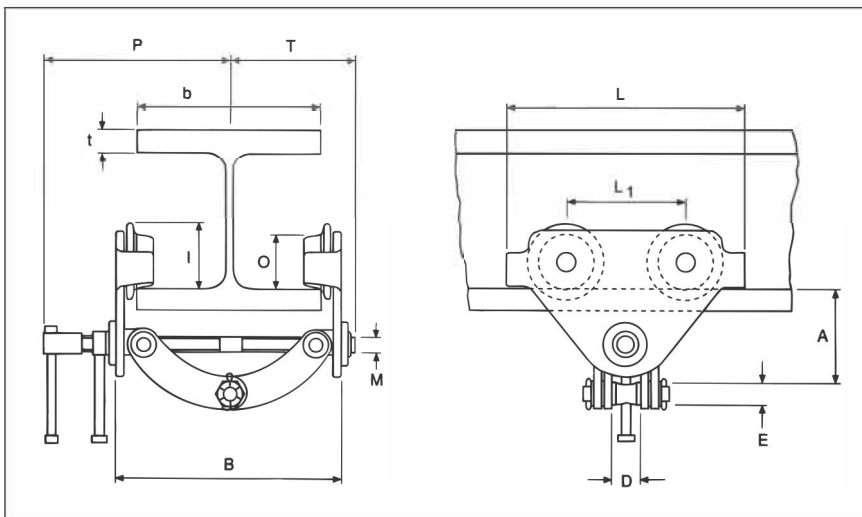


STAGING AND LIGHTING



SHIPPING AND OFFSHORE

SPECIFICATIONS



ENGINEERING

DIMENSIONS

Beaver Product Code	W.L.L. tonnes	Adjustable Beam width mm	Net Weight kg	Dimensions in mm										
				A	D	E	I	L	L1	M	O	P	T	t max.
270010YT 270010YTE	1	75 - 200	9.4	80 - 152	42	20	71.5	260	130	M16	60	195	155	25
270020YT 270020YTE	2	75 - 200	9.9	106 - 155	42	20	71.5	260	130	M18	60	205	139	25
270030YT 270030YTE	3	75 - 200	17.5	128 - 171	50	22	95.5	310	150	M24	80	220	155	25

Beaver Integral Push Trolley and Girder Clamps are not designed for passenger elevator applications and must not be used for this purpose. Selection and calculation of the proper beam construction are the responsibility of the user.

COMPLIES TO AS1418.2

DISTRIBUTED BY:

www.beaver.com.au



Sydney, Melbourne, Adelaide,
Perth, Brisbane, Bundaberg,
Mackay, Auckland NZ

Specifications and dimensions subject to change without notice.

© Copyright 2005 Beaver Sales Pty Ltd B C-SA-03-046A